

MACERATOR

COMPACT

PUMP

































SFA



50 *YEARS*
OF INNOVATION

Install a WC, a shower room, a kitchen or utility room anywhere you want...

It's easy with SFA macerator pumping systems !

	PAGE		PUMPING HEIGHT
MACERATOR	4	SANIFLO®	 4 m
	5	SANITOP®	  5 m
	6	SANISLIM®	    2,5 m
	7	SANIPACK®	    4 m
	8	SANIPRO®	    5 m
	9	SANIPLUS®	    5 m
	10	SANIBEST®	    6 m
	11	SANIALARM®	
	11	DESCALER CLEANSER	For macerating systems and pumps maintenance
COMPACT	12	SANICOMPACT® 43	  3 m
	12	SANICOMPACT® Pro	  3 m
	13	SANICOMPACT® Star	  3 m
PUMP	14	SANISHOWER®	   4 m
	15	SANIVITE®	      5 m
	16	SANISPEED®	      7 m
	17	SANICOM®	      8 m
	18	SANICUBIC® Pro	       11 m
	19	SANICONDENS® Plus	   4,5 m
	19	SANICONDENS® Best	 4,5 m

For all macerating pumping systems the performance curves are based on evacuation pipe of 32 mm diameter.

WITH SFA, ADD VALUE TO YOUR HOME

The SFA range of macerator pumps enables you to add extra bathroom, kitchen or utility facilities almost anywhere. This includes those "hard to plumb" locations that would be impractical or expensive using conventional large-bore gravity drained discharge pipework.

So if you have space where you want to add facilities but plumbing is a problem – SFA will provide the answer. With SFA, it is easy, quick and economic to install facilities where you want them.

5 GOOD REASONS for choosing SFA

50 years of expertise

1 The SFA Group as inventor, designer and manufacturer, has had a very strong presence in the sanitary appliances market for over 50 years, at first in France and then all over the world. It is now the leading brand for small-bore sanitary macerators and pumps. The Group's primary area of investment is its Research & Development department where year in and year out dozens of engineers develop today and tomorrow's products, constantly simplifying installation work and guaranteeing optimum quality.

Quality

2 **Two-year guarantee and compliance with standards**

SFA pumps and macerators are manufactured in France, and comply with the new European and international standards now in force (EN 12050-3, EN 12050-2 and EN 12050-1). The factory in which they are manufactured is quality certified to ISO 9001:2000 (issued by AFAQ, the French Quality Certification Association).



Easy installation

3 SFA macerator provides the ideal solution for installing sanitary appliances almost anywhere with a minimum of construction work. SFA macerator/pump allows you to install complete wc and showering facilities where it



is impossible to do so using traditional plumbing methods (eg remote from the drain, in basements etc.). It is very easy to install

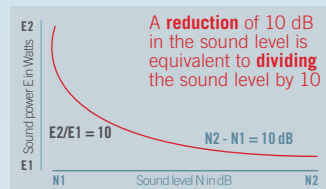
and to service. However we recommend that you use a qualified installer to ensure correct installation and compliance with standards.

Silence and safety

4 To provide a 10-decibel reduction in the noise levels transmitted, the SFA range of macerator pumps has now been fitted on resilient mounts that absorb the resonant vibrations when the equipment is operating. This means that the noise levels transmitted are very low, and almost indistinguishable from background noise. All the measurements made and all the improvements introduced in the



SFA SILENCE range were made in consultation with ALCTRA (a company approved by the French Ministry of Research which won the 2001 French Acoustics Society award. The equipment it uses is certified by the French National Test Laboratory).

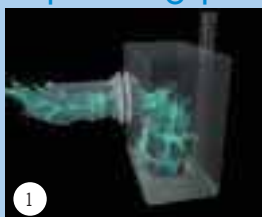


SFA installation is almost maintenance-free (apart from descaling which may be needed depending on the hardness of the water supply). SFA macerator should only be used for evacuation of normal WC waste, toilet paper and household WC cleaners. (Cotton wool, hygiene articles, wet wipes, hard objects, paints, oils, solvents and other chemicals will damage the unit.)

Peace of mind

5 Via its network of subsidiaries and exclusive distributors, SFA provides an After-Sales Service in all the countries where its macerators and pumps are sold.

Operating principle of the SFA System



1 The toilet is flushed, the water level rises and the SFA grinder motor cuts in automatically.



2 The blades driven by the motor grind the contents up into tiny particles in 3 or 4 seconds.



3 The finely ground particles are pumped out through a standard pipe just 22 or 32 mm in diameter.



4 The tank is empty (apart from the water seal) and the system is ready for use again.

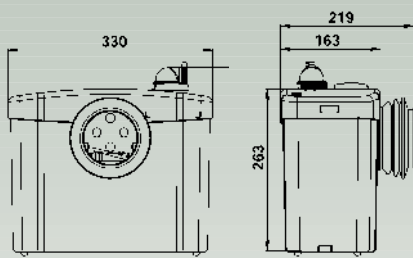
SANIFLO®

MACERATOR



SANIFLO® Silence removes the waste from a WC. It is suitable for use in a basement or loft extension - or in any home improvement where conventional large bore pipework is impractical.

Possible connection WC	Index of protection IP44
Pumping height up to 4 m	Electrical power supply 220-240 V / 50 Hz
Horizontal pumping distance up to 100 m	Motor power rating 550 W
Recommended wasted pipe diameter 22 to 32 mm	Measurements l x d x h 330 x 163 x 263 mm
Maximum admissible waste water temperature 35°C	Non-return valve
	Can be equipped with Sanialarm®

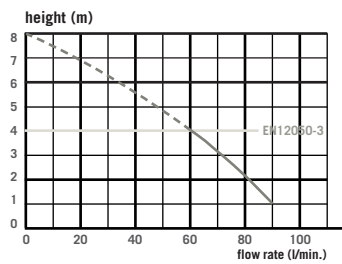


4 m

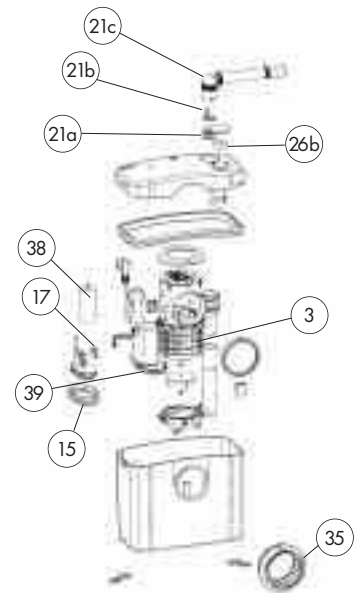
100 m ->>>



The "Silence" macerating-pumping system for use with a traditional WC



N°	Identification	Reference
3	Complete motor	MPSX
15	Membrane	SI200184
17	Micro-switch	SA100140
21	Discharge elbow	CMBSAV
26b	Complete carbon filter	EM120140
35	Pan gasket	AU010121
38	14µF condenser	CO100130
39	Horseshoe clip	VA100144

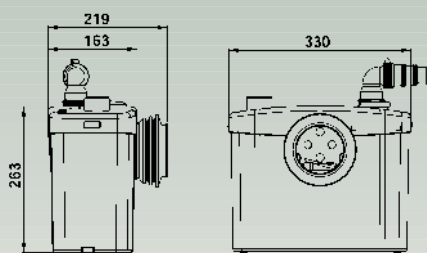




SANITOP® Silence is the unit adaptable for a traditional toilet, together with a washbasin.



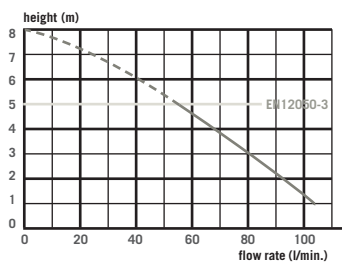
Possible connection WC, washbasin	Index of protection IP44
Pumping height up to 5 m	Electrical power supply 220-240 V / 50 Hz
Horizontal pumping distance up to 100 m	Motor power rating 550 W
Recommended wasted pipe diameter 22 to 32 mm	Measurements l x d x h 330 x 163 x 263 mm
Maximum admissible waste water temperature 35°C	Non-return valve Can be equipped with Sanialarm®



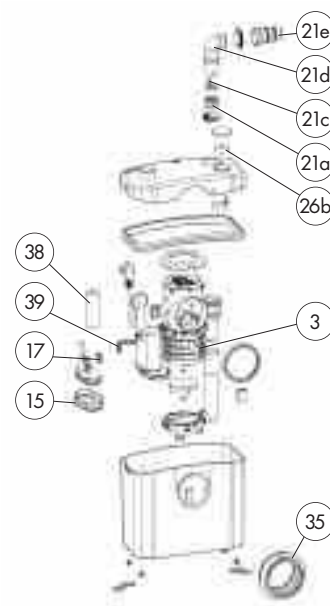
5 m ->>>

100 m ->>>

The "Silence" macerating-pumping system for use with a traditional WC and a washbasin



N°	Identification	Reference
3	Complete motor	MPST
15	Membrane	SI200184
17	Microswitch	SA100125
21a	Non return valve body	BL120019
21c	Non return valve flap	SI200117
21d	Discharge elbow	BL120204
21e	3 outlet connector	BL120987
26b	Complete carbon filter	EM120160
35	Pan gasket	AU010121
38	14µF condenser	CO100130
39	Horseshoe clip	VA100144



SANISLIM®

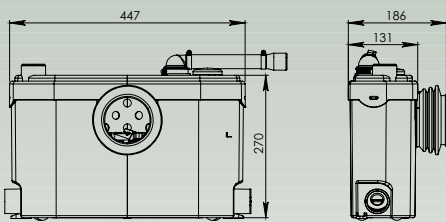
MACERATOR



SANISLIM® will remove waste from a WC and waste water from a shower and wash basin by a thin tank (only 13 cm width), thus enabling the installation of a complete shower room.

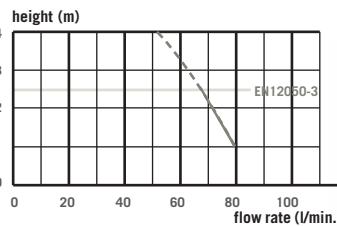


- | | |
|---|---|
| Possible connection
WC, washbasin, shower,
bidet | Index of protection
IP44 |
| Pumping height
up to 2,5 m | Electrical power supply
220-240 V / 50 Hz |
| Horizontal pumping distance
up to 40 m | Motor power rating
400 W |
| Recommended wasted pipe diameter
22 to 32 mm | Measurements l x d x h
447 x 131 x 270 mm |
| Maximum admissible waste water temperature
35°C | Non-return valve
Can be equipped with Sanialarm® |

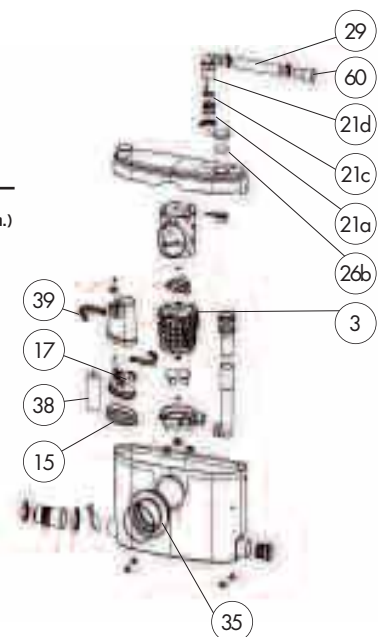


40 m ->>>
2,5 m ->>>

Specially designed to accommodate
slimline sanitaryware



N°	Identification	Reference
3	Complete motor	MPSLIM2
15	Membrane	SI200184
17	Microswitch	SA100125
21a	Non return valve body	BL120019
21c	Non return valve flap	SI200117
21d	Discharge elbow	BL120018
26b	Complete carbon filter	EM120160
29	Outlet elbow	NB100300
35	Pan gasket	AU010121
38	14µF condenser	CO100130
39	1/2 clip membrane	VA100144
60	23-32 connector	BL120834





Its 12 cms depth enables **SANIPACK®** to be concealed behind a wall panel, allowing for the installation of all the appliances of a shower room in a very discreet way.



Possible connection
wall-hung WC, washbasin,
shower, bidet

Pumping height
up to 4 m

**Horizontal pumping
distance**
up to 40 m

**Recommended wadded
pipe diameter**
22 to 32 mm

**Maximum admissible
waste water temperature**
35°C

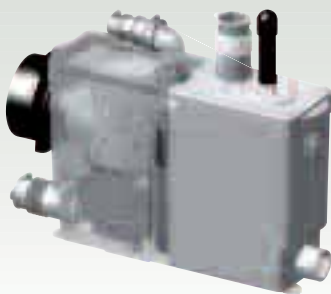
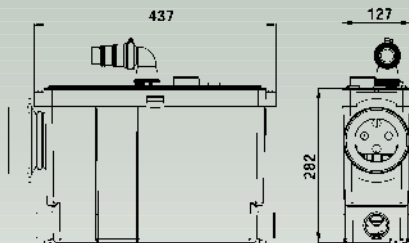
Index of protection
IP44

Electrical power supply
220-240 V / 50 Hz

Motor power rating
400 W

Measurements l x d x h
437 x 127 x 282 mm

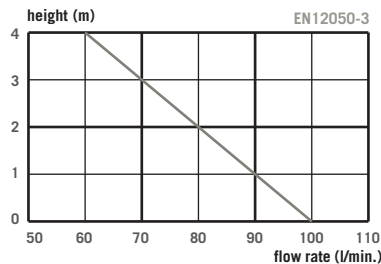
Non-return valve
Can be equipped with
Sanialarm®



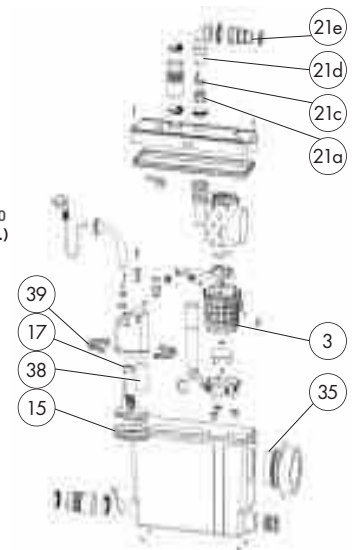
4 m

40 m ->>>

Small bore macerating-pumping system for back-to-wall or wall-hung WC pans, and a complete shower room



N°	Identification	Reference
3	Complete motor	MPPA1
15	Membrane	SI200184
17	Microswitch	SA100125
21a	Non return valve body	BL120019
21c	Non return valve flap	S1200117
21d	Discharge elbow	BL120204
21e	3 outlet connector	BL120987
35	Pan gasket	AU010570
38	14µF condenser	CO100130
39	Horseshoe clip	VA100144

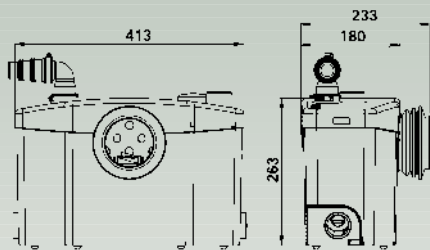




Designed to enable the addition of an ensuite shower room, **SANIPRO® SILENCE** will take the waste from a WC, shower and washbasin and pump it quickly and quietly through small bore pipework up to 5 meters vertically or up to 100 meters horizontally.



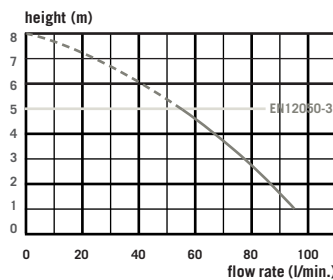
- | | |
|--|---|
| Possible connection
WC, washbasin, shower, bidet | Index of protection
IP44 |
| Pumping height
up to 5 m | Electrical power supply
220-240 V / 50 Hz |
| Horizontal pumping distance
up to 100 m | Motor power rating
400 W |
| Recommended wasted pipe diameter
22 to 32 mm | Measurements l x d x h
413 x 180 x 263 mm |
| Maximum admissible waste water temperature
35°C | Non-return valve
Can be equipped with Sanialarm® |



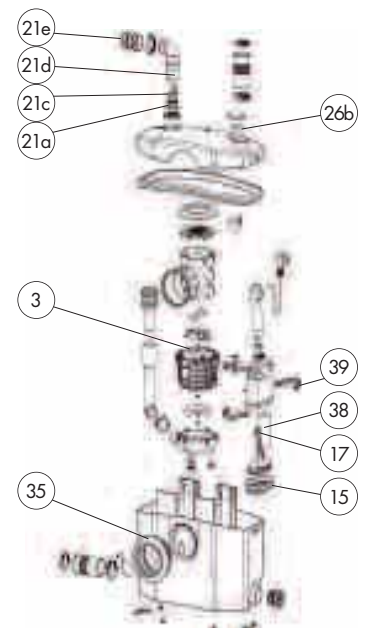
5 m ->>>

100 m ->>>

The "Silence" macerating-pumping system, ideal for a complete shower room



N°	Identification	Reference
N°	Identification	Reference
3	Complete motor	MPSR
15	Membrane	SI200184
17	Microswitch	SA100125
21a	Non return valve body	BL120019
21c	Non return valve flap	SI200117
21d	Discharge elbow	BL120204
21e	3 outlet connector	BL120987
26b	Complete carbon filter	EM120160
35	Pan gasket	AU010121
38	10µF condenser	CO100135
39	Horseshoe clip	VA100144

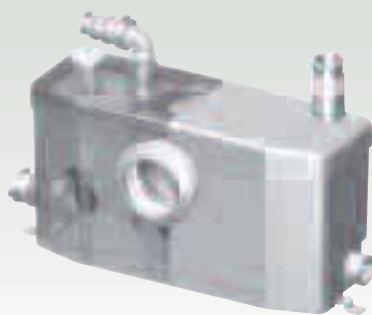
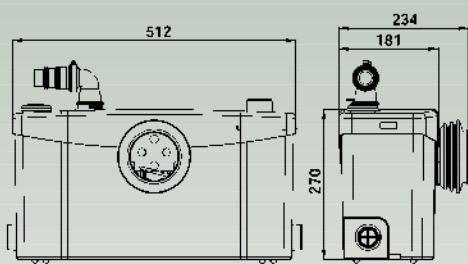




Its high capacity tank enables **SANIPLUS® Silence** to pump away large quantities of waste waters from the bathroom. Its specific motor allows for long-term running.

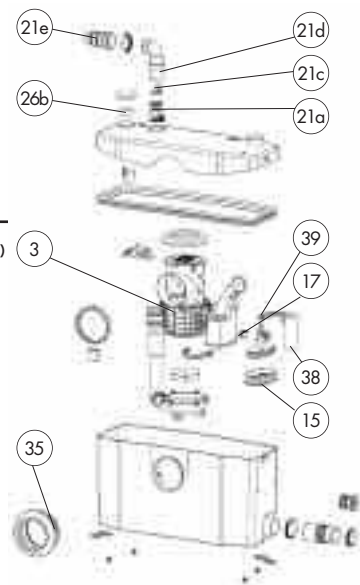
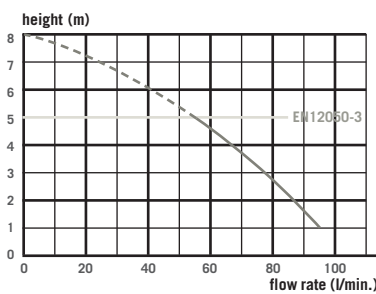


- | | |
|---|---|
| Possible connection
WC, washbasin, shower,
bidet | Index of protection
IP44 |
| Pumping height
up to 5 m | Electrical power supply
220-240 V / 50 Hz |
| Horizontal pumping distance
up to 100 m | Motor power rating
400 W |
| Recommended wasted pipe diameter
22 to 32 mm | Measurements l x d x h
512 x 181 x 270 mm |
| Maximum admissible waste water temperature
35°C | Non-return valve
Can be equipped with Sanialarm® |



100 m ->>>

The "Silence" macerating-pumping system, ideal to install a complete bathroom



N°	Identification	Reference
3	Complete motor	MPSP
15	Membrane	SI200184
17	Microswitch	CR100125
21a	Non return valve body	BL120019
21c	Non return valve flap	SI200117
21d	Discharge elbow	BL120204
21e	3 outlet connector	BL120987
26b	Complete carbon filter	EM120160
35	Pan gasket	AU010121
38	10µF condenser	CO100135
39	Horseshoe clip	VA100144





SANIBEST® is equipped with a unique blade system and responds to an intensive use. It is perfectly adapted for a small flat, a summer-cottage, restaurants, bars, public laundries and so on.

Possible connection
WC, washbasin, shower,
bidet

Pumping height
up to 6 m

**Horizontal pumping
distance**
up to 100 m

**Recommended wasted
pipe diameter**
22 to 32 mm

**Maximum admissible
waste water temperature**
35°C

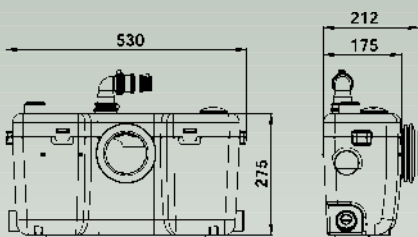
Index of protection
IP44

Electrical power supply
220-240 V / 50 Hz

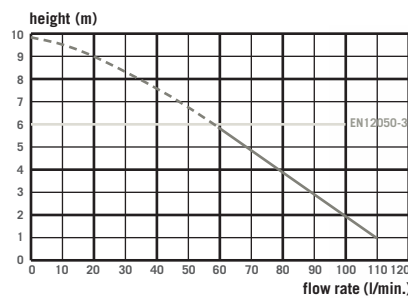
Motor power rating
760 W

Measurements l x d x h
530 x 175 x 275 mm

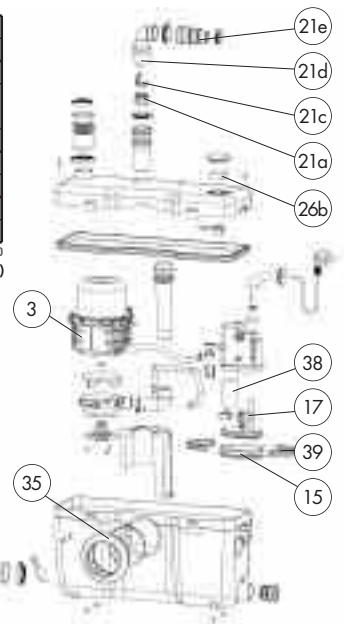
Non-return valve
Can be equipped with
Sanialarm®



A high resistant macerating-pumping system,
for intensive uses in domestic or public places



N°	Identification	Reference
3	Complete motor	MPB3
15	Membrane	SI200184
17	Microswitch	SA100125
21a	Non return valve body	BL120019
21c	Non return valve flap	S1200117
21d	Discharge elbow	BL120204
21e	3 outlet connector	BL120987
26b	Complete carbon filter	EM120170
35	Pan gasket	AU010121
38	18µF condenser	CO100156
39	Horseshoe clip	VA100144



SANIALARM®



Sanialarm should be fitted onto the lid of the SFA unit



SANIALARM is available as an option on all the models in the catalogue marked with this pictogram.

Its original design, the fruit of several months of research by the SFA engineering department, reflects our policy of continual product improvement across the range.

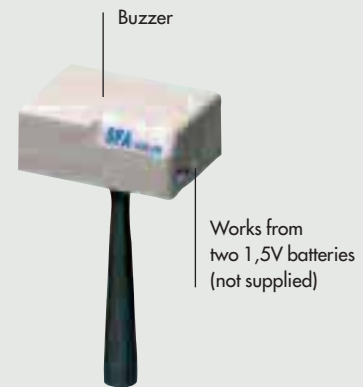
Occasional power failures, or a build-up of limescale deposits in older units (that are not regularly descaled), will cause a surcharge of water in the unit.

To deal with such unforeseen problems, the SFA solution is to provide an immediate warning to stop using the unit and rectify the problem.

SANIALARM® has a level pressure switch that triggers an alarm fixed on the top of the SFA unit if the volume of water exceeds the maximum allowed level.

The alarm then emits a continuous sound, until it is switched off and the problem rectified.

SANIALARM® is battery operated and can be fitted on all models in the adaptable SFA macerator range, including Sanispeed and Sanivite pumps. It is easy to fit.



SANIALARM warns you if the water in the macerator rises to an unusually high level

DESCALER CLEANSER



SANICOMPACT® 43



SANITOP®

- Ultra-concentrated phosphoric acid formula
- Specially developed to avoid damaging rubber components
- Formula ideally suited to small - bore discharge pipes
- Product suitable for septic tanks
- Laboratory tested formula and usage quantities



SANICOMPACT® 43

SANICOMPACT® Pro



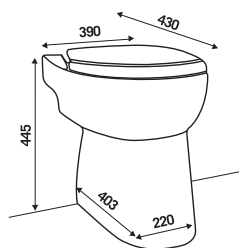
A 2-in-1 solution focusing on design, space-saving and shape

- Possible connection
WC, washbasin
- Pumping height
up to 3 m
- Horizontal pumping distance
up to 30 m
- Recommended wasted pipe diameter
32 mm
- Maximum admissible waste water temperature
35°C
- Water consumption
5 litres/cycle
- Index of protection
IP44
- Electrical power supply
220-240 V / 50 Hz
- Motor power rating
800 W
- Measurements l x d x h
SANICOMPACT 43
390 x 430 x 445 mm
SANICOMPACT PRO
380 x 560 x 495 mm
- Removable non-return valve
Toilet seat supplied
Fixing kit supplied

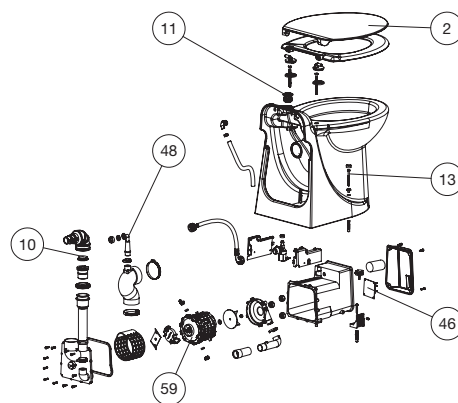
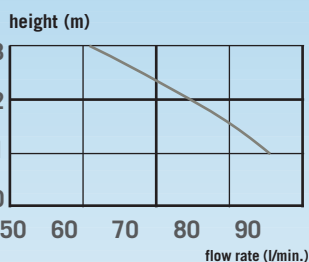
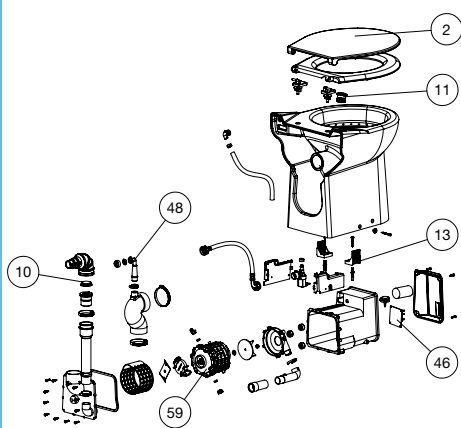
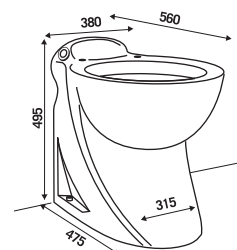


Comfortable and stylish ceramic bowl with macerating-pumping system

SANICOMPACT



SANICOMPACT® units are ceramic WC models with built-in macerator pump. They have no external water tank, as the flushing mechanism is built in. **SANICOMPACT®** units macerate the WC waste and pump it away to the drain. They can also pump away the waste water from a washbasin. In this case, the motor activates automatically when the water enters.



N°	Identification	Reference
2	Toilet seat <i>Sanicompact 43</i> <i>Sanicompact Pro</i>	NP100004 SA200100
10	Non-return valve flap	AU010490
11	Pneumatic button	BPB
13	Fixing kit <i>Sanicompact 43</i> <i>Sanicompact Pro</i>	SACH37 SACH38
46	Timer	AC120121
48	One way air vent	CLAPSIF
59	Complete motor	MPC

SANICOMPACT® Star

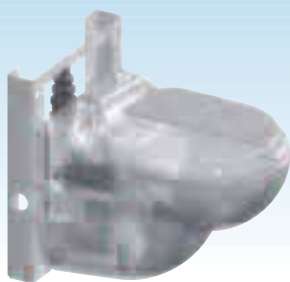
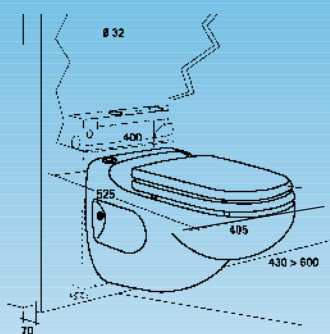


Convenient, **SANICOMPACT® STAR** is a wall-hung toilet, with an adjustable built-in support frame (from 45 to 60 cm), also adapted for the disabled.

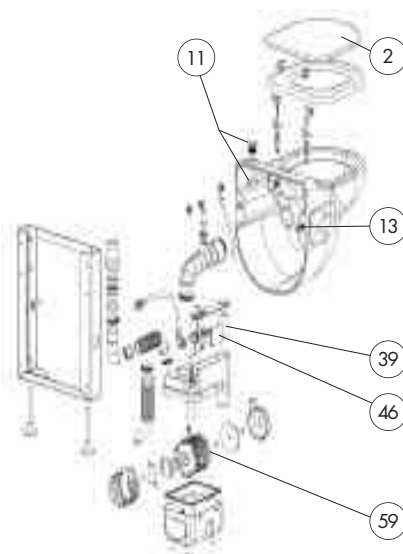
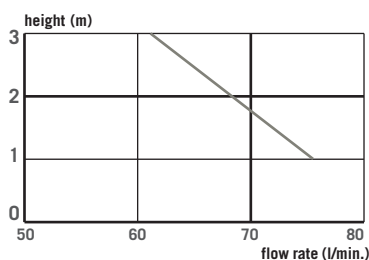


Wall-hung ceramic WC with integrated macerating-pumping system

Possible connection WC, washbasin	Water consumption 5 litres/cycle
Pumping height up to 3 m	Electrical power supply 220-240 V / 50 Hz
Horizontal pumping distance up to 30 m	Motor power rating 500 W
Recommended wasted pipe diameter 32 mm	Measurements l x d x h 405 x 525 x 420 mm
Maximum admissible waste water temperature 35°C	Removable non-return valve Toilet seat supplied



3 m
30 m ->>>



N°	Identification	Reference
2	Toilet seat	SED100100
11	Pneumatic button	BPB
13a	Fixing kit	SACH44
39	Condenser 20 µf clips	CO100157
46	Timer	AC120121
59	Complete motor	MSEULC7

SANISHOWER®



Its small dimensions and low level start make **SANISHOWER®** perfectly adapted to be integrated under a shower tray, or discreetly within a piece of furniture.



Possible connection
washbasin, shower, bidet

Index of protection
IP44

Pumping height
up to 4 m

Electrical power supply
220-240 V / 50 Hz

Horizontal pumping
distance
up to 40 m

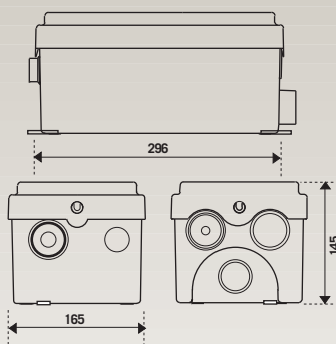
Motor power rating
250 W

Recommended wasted
pipe diameter
32 mm

Measurements l x d x h
296 x 165 x 145 mm

Removable non-return valve

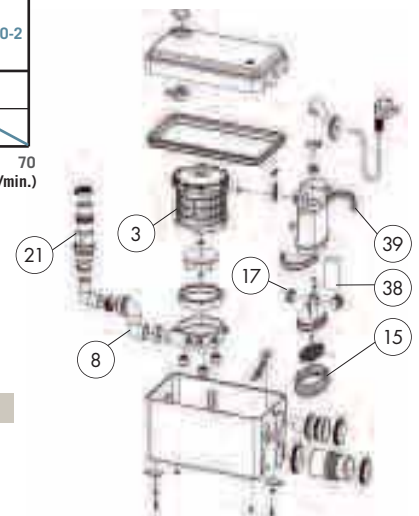
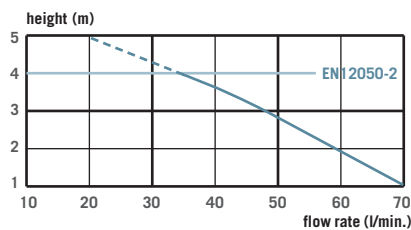
Maximum admissible
waste water temperature
35°C



40 m ->>>

4 m ^>>>

A compact domestic pump, very convenient to install
a washbasin and a shower



N°	Identification	Reference
3	Complete motor	MPD2
8	"S" pipe	AU010614
15	Membrane	SI200184
17	Micro-switch	SA100125
21	On-line non return valve	PCLB
38	Condenser	CO100105
39	Horseshoe clip	VA100144



SANIVITE® Silence is specially designed to deal with the hot soapy pumped waste water from dishwasher or washing machine, making the addition of a domestic kitchen or utility room easy even when below or distant from a drain.



Possible connection
washbasin, shower, bidet,
bathtub, sink, dishwasher,
washing machine

**Maximum admissible
waste water temperature**
60°C (short periods)

Index of protection
IP44

Pumping height
up to 5 m

Electrical power supply
220-240 V / 50 Hz

**Horizontal pumping
distance**
up to 50 m

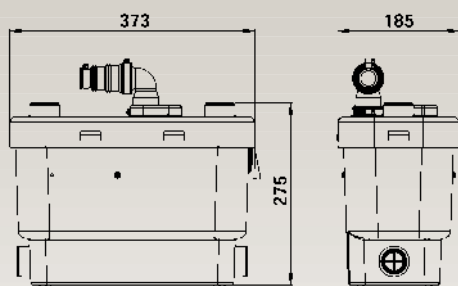
Motor power rating
400 W

**Recommended wasted
pipe diameter**
32 mm

Measurements l x d x h
296 x 165 x 145 mm

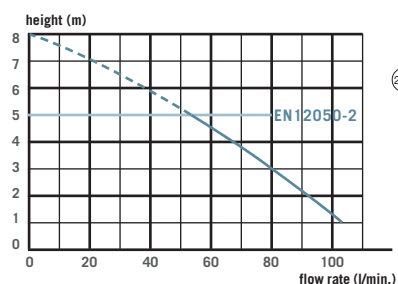
Working temperature
35°C

Non-return valve
Can be equipped with
Sanialarm®

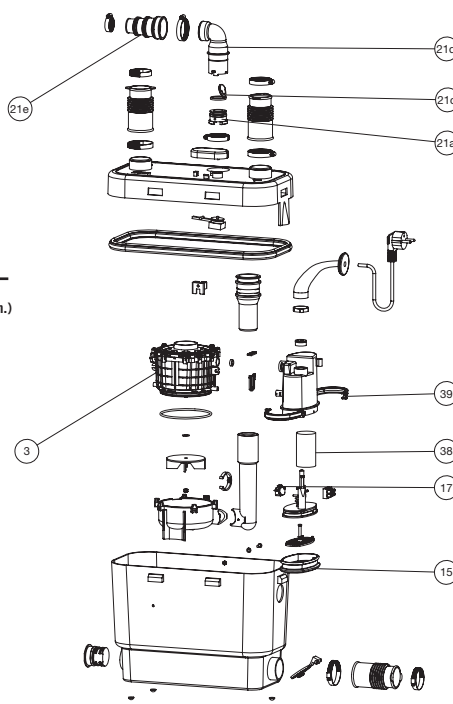


5 m ->>>
50 m ->>>

Quiet domestic pump for a kitchen or a laundry room



N°	Identification	Reference
3	Complete motor	MPSV
15	Membrane	SI200184
17	Micro-switch	SA100140
21	Discharge elbow	CMBSAV
21c	Non return valve flap	SI200117
21e	3 outlet connector	BL120987
38	8µF condenser	CO100110
39	Horseshoe clip	VA100144



SANISPEED®



SANISPEED® Silence is a pump for discharge of waste water in commercial use (glass washers, dishwashers). It pumps up to 7 m and is especially suitable for intensive long-term running

Possible connection
washbasin, shower, bidet,
bathtub, sink, dishwasher,
washing machine

Pumping height
up to 7 m

Horizontal pumping distance
up to 70 m

Recommended wasted pipe diameter
32 mm

Working temperature
35°C

Maximum admissible waste water temperature
75°C (short periods)

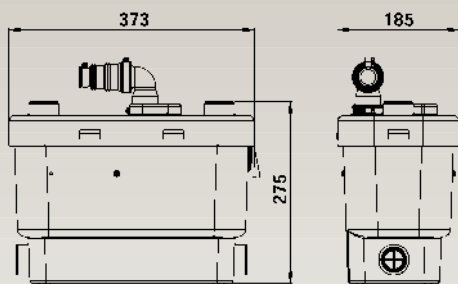
Index of protection
IP44

Electrical power supply
220-240 V / 50 Hz

Motor power rating
400 W

Measurements l x d x h
373 x 185 x 275 mm

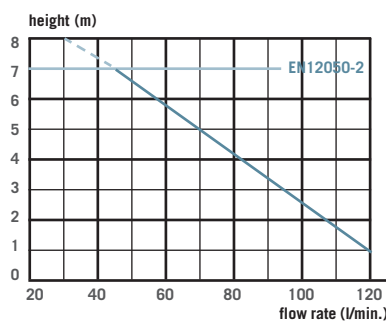
Non-return valve
Can be equipped with Sanialarm®



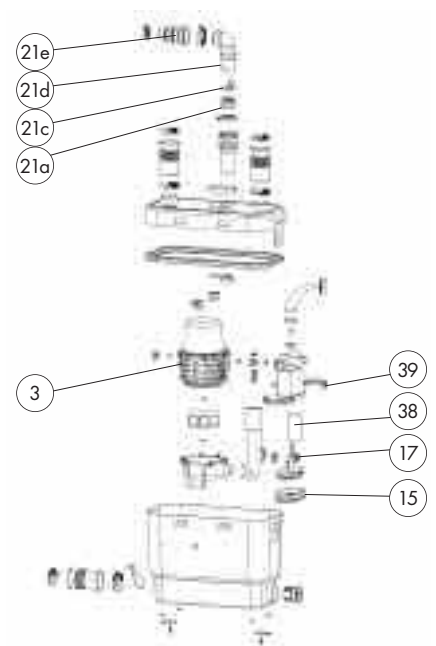
70 m ->>>



Strong commercial pump, ideal for use in bars, restaurants, canteens and other public places



N°	Identification	Reference
3	Complete motor	MPSSP
15	Membrane	SI200184
17	Micro-switch	SA100125
21a	Non return valve body	BL120019
21c	Non return valve flap	BL1200117
21d	Discharge elbow	BL120206
21e	3 outlet connector	BL120987
38	8µF condenser	CO100110
39	Horseshoe clip	VA100144





Resisting to high temperatures, **SANICOM®** can be used as a lift-station for any kind of waste waters (except toilet waters) in domestic and commercial places (bar, restaurant, laundry...)



Possible connection
washbasin, shower, bidet,
bathtub, sink, dishwasher,
washing machine

**Maximum admissible
waste water temperature**
90°C (short periods)

Pumping height
up to 8 m

Index of protection
IP44

**Horizontal pumping
distance**
up to 80 m

Electrical power supply
220-240 V / 50 Hz

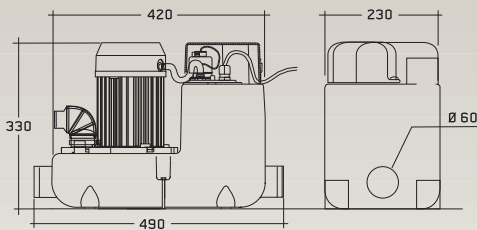
Motor power rating
750 W

**Recommended wasted
pipe diameter**
40 mm

Measurements l x d x h
420 x 230 x 330 mm

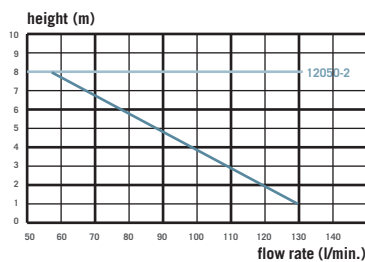
Working temperature
65°C

External check-valve
Possibility to fit
an external alarm

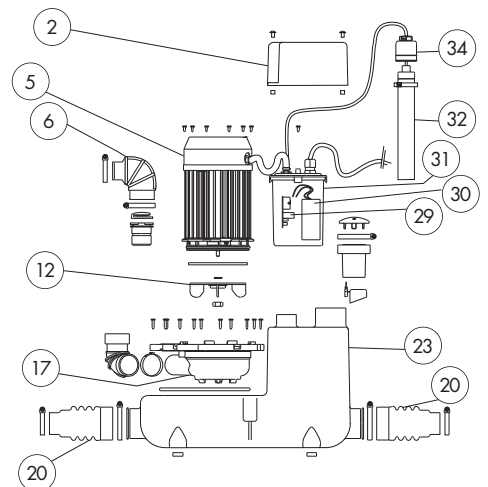


80 m ->>>

A high-performance pump for intensive and commercial use



N°	Identification	Reference
2	Lid	BL120063
5	Complete motor	MSEULCOM
6	Outlet elbow	AU010407
12	Sanicom impeller	GU100140
17	Motor shoe	BL120115
20	Waste inlet 62/40	AF120140
23	Sanicom base	RO250130
29	Timer	AC120165
30	8 µf condenser	CO100110
31	Electric box	BL120300
32	Plunger pipe	PU100100



SANICUBIC® Pro

Wireless remote alarm

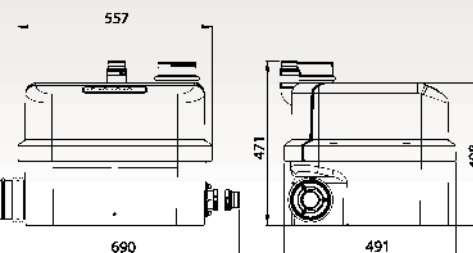
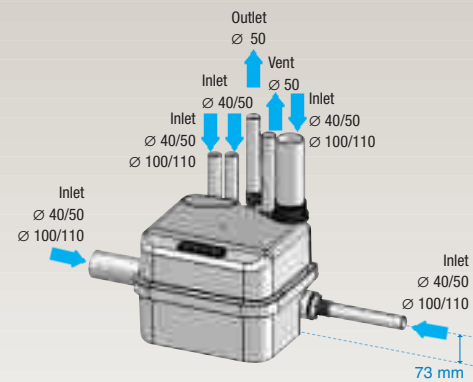


SANICUBIC® PRO is a heavy duty lift station for discharge of waste from multiple WC's and other waste water producing appliances (shower, bath, washing machine, dishwasher...) This smart unit with its multiple inlets in different diameters and double alarm (one on the unit and another remote) provides a high level of security and of performance.

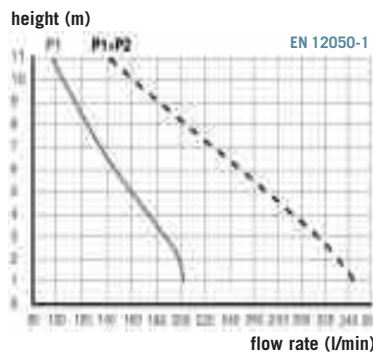
Possible connection several WC's, waste waters from kitchen, bathroom, laundry room	Maximum admissible waste water temperature 70°C (short periods)
Pumping height up to 11 m	Index of protection IP67
Horizontal pumping distance up to 100 m	Net weight (accessories included) 30 Kg
Inlet diameter 1 inlet 40/50 mm 4 inlets 40/50/100/110 mm	Electrical power supply 220-240 V
Recommended waste pipe diameter 50 mm	Motor power rating 2 x 1500 W
Vent diameter 50 mm	Maximum current input 13 A
Case volume 47 l	Electrical classification I
	HF alarm outreach (in a free field) 50 to 100 m

Working temperature
35°C

2 non-return valves
Control panel on the unit
Two alarms - one unit mounted, one remote (HF)

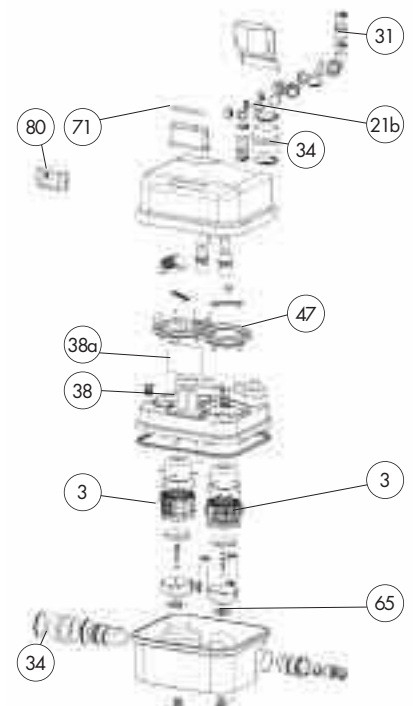


An ideal solution to flush away all the waste water from a complete house



P1 : Flow rate with 1 motor (l/min)
P1 + P2 : Flow rate with 2 motors (l/min)

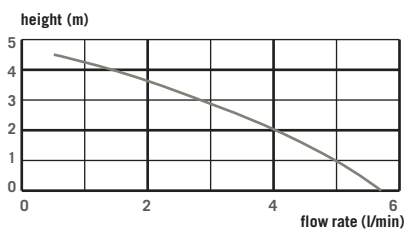
N°	Identification	Reference
3	Complete motor	MPR3
21b	Non-return valve flap	AU010020
31	Outlet connector	NP100800
34	Connector 100 / 110 mm	NP100176
38	18µF condenser	CO100160
38a	Timer	AC120200
47	Trap	BL120275
65	Complete blade	COUTEAU
71	Control panel	SER100110
80	Remote alarm	BOITALARMR3



SANICONDENS® Plus



SANICONDENS® PLUS is used for disposing of the condensate from condensing boilers and other water producing equipment such as air conditioners, dehumidifiers etc.



Possible connections
condensing boilers, air
conditioners, humidifiers

Pumping height
up to 4,5 m

Horizontal pumping
distance
up to 50 m

Maximum flow rate
342 l/h

Flow rate at 4m head
156 l/h

Minimum pH
2,5

Electrical power supply
220-240 V / 50 Hz

Motor power rating
60 W

Index of protection
IP 20

Acoustic level
< 45 dba

Working temperature
35° C

Maximum admissible
waste water
temperature
80° C

Net weight
Sanicondens Plus: 2 kg
Sanicondens Best: 2,6 kg

Measurements l x d x h

Sanicondens Plus:

279 x 160 x 146 mm

Sanicondens Best:

279 x 179 x 254 mm

Case volume
2 litres

Power cable
2 m

Drain pipe
6 m

Alarm
3-wire cable

Wall fixing kit
Non-return valve
Connection for alarm
2 inlet adaptors
1 outlet adaptor Ø 50 mm

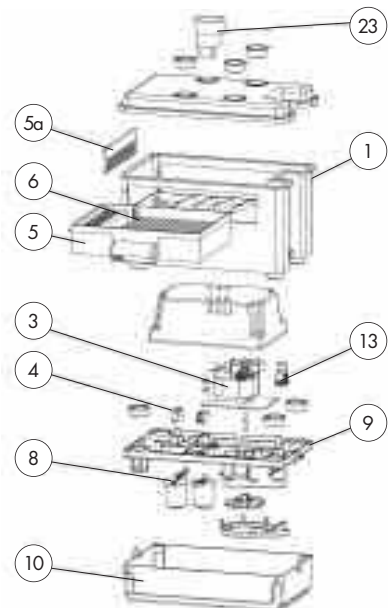
N°	Identification	Reference
1*	Neutralisation case	BL120773
3	Moteur	NP100693
4	Microswitch	SA100130
5*	Neutralisation drawer	BL120777
5a*	Neutralisation frame	BL120775
8	Float	GU100115
9	Plate	BL120238
10	Case	BL120237
13	Non-return valve	CLAPSK3
23	Inlet adaptor	BL120313

* For Sanicondens Best only

SANICONDENS® Best



SANICONDENS® BEST is specially designed to evacuate and neutralise acidic concentrates from condensing oil and gas boilers.



PUMP

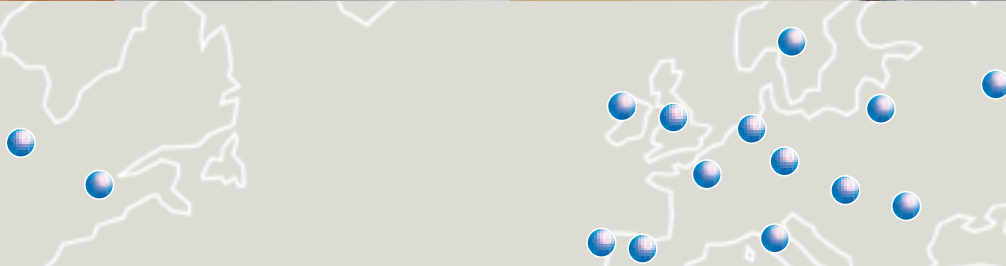
SFA Group

2-year guarantee



SFA pumps and macerators meet the European standards currently in force (EN 12050-3 and EN 12050-2) and are produced in a factory with ISO 9001 certification in its 2000 version issued by AFAQ in France.

SMART SOLUTIONS TO INSTALL SANITARY AND UTILITY FACILITIES ANYWHERE YOU WANT



A French group with an International presence through 16 subsidiaries worldwide...

 Groupe SFA International, France

 SANIFLO AB, Sweden

 SANIFLO, United Kingdom

 SFA Poland, Poland

 SFA Rus, Russia

 SFA SANIBROY, Germany

 SFA BENELUX BV, Netherlands

 SFA SANIRISH, Ireland

 SFA SANIFLO INC., USA

 SFA SANIFLO INC., Canada

 SFA SANITRIT, Italy

 SFA SANITRIT, Spain

 SFA LDA, Portugal

 SFA SANIFLO SRL, Romania

 SANIPUMP Pty, Australia

 SFA SANIBROY, Czech Republic

... and through more than 60 partners all around the world

For any information,
contact international department:

SFA Group

8, rue d'Aboukir - 75002 Paris
Tél. +33 (0)1 44 82 39 20
Fax. +33 (0)1 44 82 39 25
email: export@sfa.fr



www.sfa.biz

- find the complete range of SFA products
- download installation instructions and catalogues
- use the product selector to easily choose a right product